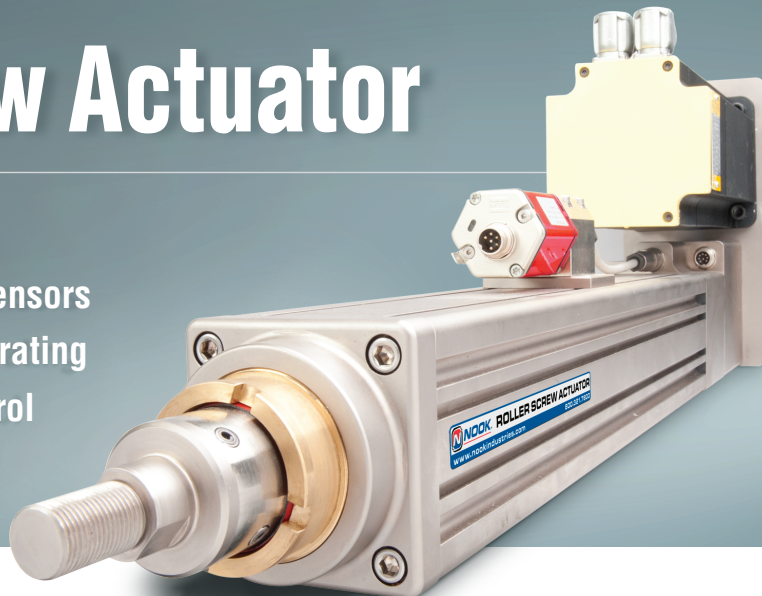


# OVER 1 MILLION CYCLES TESTED

## Roller Screw Actuator

### ∞ Infinity 1™ features

- Integrated load and position sensors
- 2500 lbs continuous duty load rating
- Precision speed and load control
- IP 64 rated



### We've surpassed industry standards.

The ∞ Infinity 1™ Roller Screw Actuator is an industry leading product that has reached 1,000,000+ cycles of continuous duty (49 million inches of travel) at 2500 lbs. thrust and a travel rate of 10 inches per second. The ∞ Infinity 1™ offers long life with a high-dynamic and static load capacity. It's simply the highest performance, heavy-duty electromechanical actuator in its class.

To learn more visit [www.rollerscrewactuator.com](http://www.rollerscrewactuator.com)



**CONTACT NOOK FOR OTHER  
MOTION-CONTROL PRODUCTS**

2D/3D CAD  ONLINE

- Linear Guides
- Acme Screw Assemblies
- Ball Screw Assemblies
- Roller Screw Assemblies
- Modular Actuators
- Modular Gantry Systems
- Worm Gear Screw Jacks
- Linear Actuators
- Electric Cylinders



**FEATURING NOOK PRECISION  
PLANETARY ROLLER SCREWS**



4950 East 49th St. Cleveland, OH 44125

[www.nookindustries.com](http://www.nookindustries.com)  
(800) 321-7800



www.nookindustries.ru

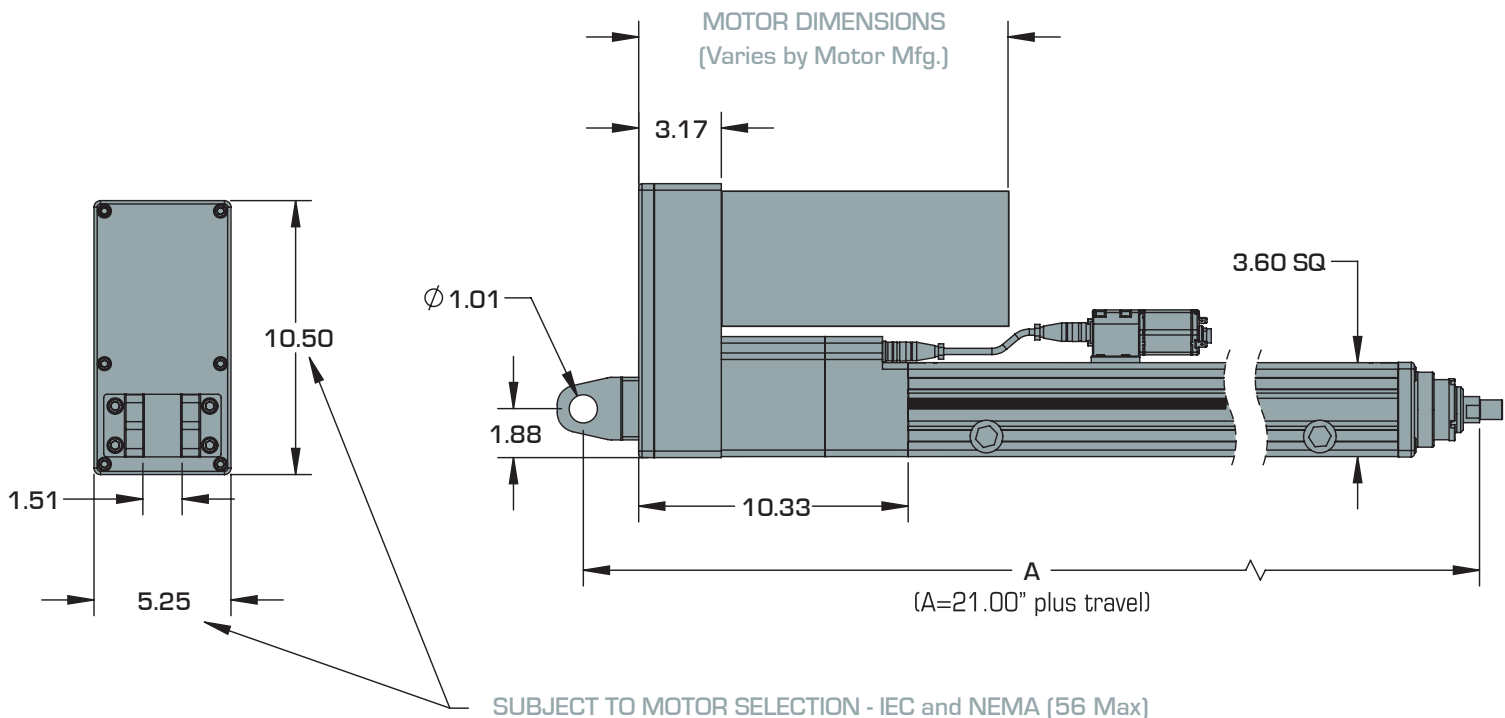
(499) 703 35 98

sell@nookindustries.ru

# ∞ Infinity 1™ Roller Screw Actuator

MODEL NO	STROKE	SCREW LEAD (mm)	MAX LINEAR SPEED* (in/sec)	CONTINUOUS OUTPUT FORCE* (lbs)	MAX SCREW SPEED* (rpm)	WEIGHT WITHOUT MOTOR (lbs)
RS/EMA 361205	12	5	11	2500	3500	65
RS/EMA 361210	12	10	22	2500	3500	65
RS/EMA 361220	12	20	45	2500	3500	65
RS/EMA 361805	18	5	11	2500	3500	70
RS/EMA 361810	18	10	22	2500	3500	70
RS/EMA 361820	18	20	45	2500	3500	70
RS/EMA 362405	24	5	11	2500	3500	75
RS/EMA 362410	24	10	22	2500	3500	75
RS/EMA 362420	24	20	45	2500	3500	75

\* With Baldor BSM-3150 motor using  $D_m N$  of 140,000 with oil lubrication  
Steel extension tube standard, aluminum extension tube available for low inertia applications



4950 East 49th Street | Cleveland, OH 44125-1016 USA | 216.271.7900 | toll-free: 800.321.7800 | f: 216.271.7020 | email: info@RollerScrewActuator.com  
www.RollerScrewActuator.com

www.nookindustries.ru

(499) 703 35 98

sell@nookindustries.ru